



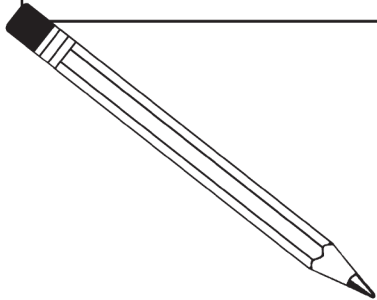
Find and circle the underlined words in the puzzle below.  
Some will be found more than one time. They are → ↓ ↘ ← ↑.

Jesus prayed:

"I have given them the glory  
that You gave Me, that they  
may be one as We are one —  
I in them and You in Me."



H	T	H	E	M	G	L	O	R	Y
A	Y	A	S	M	E	I	N	I	E
V	W	O	T	G	I	V	E	N	H
E	E	E	U	H	T	H	E	G	T
Y	T	A	H	T	E	T	H	A	T
O	N	E	Y	A	M	M	M	V	B
U	A	R	E	O	D	N	A	E	E



Write the letter that's missing from the second word of each pair to find two important words from today's verses.

① \_\_\_\_\_

in ounce not in cone ...

in near not in are ...

in time not in met ...

in float not in loaf ...

in pansy not in span ...

② \_\_\_\_\_

in singer not in rinse ...

in table not in beat ...

in hoarse not in share ...

in pester not in steep ...

in daisy not in said ...